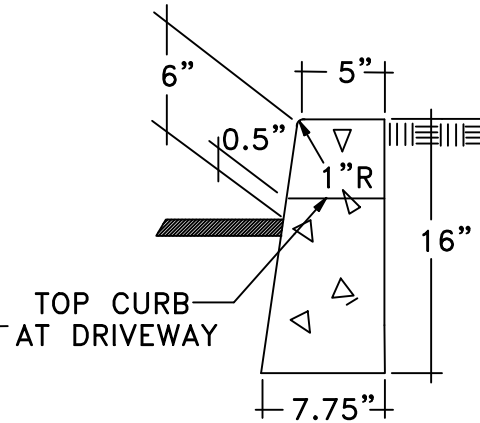
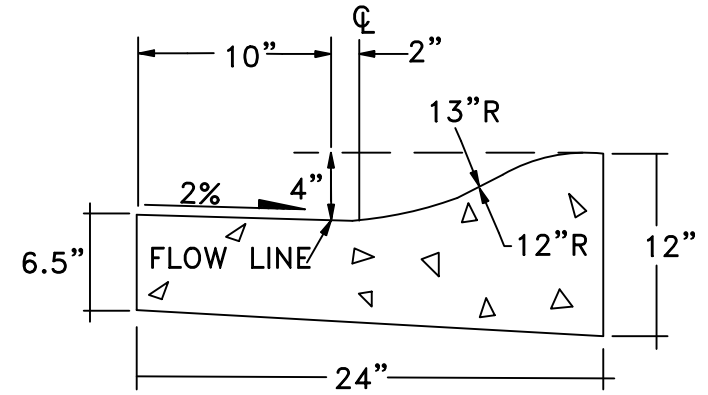


VERTICAL CEMENT CONCRETE CURB & GUTTER



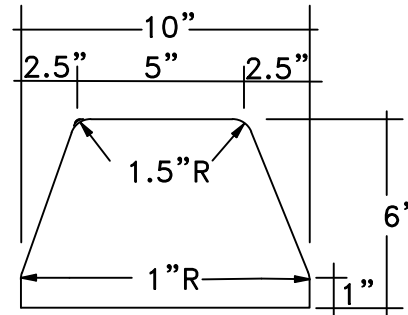
VERTICAL* CEMENT CONCRETE CURB



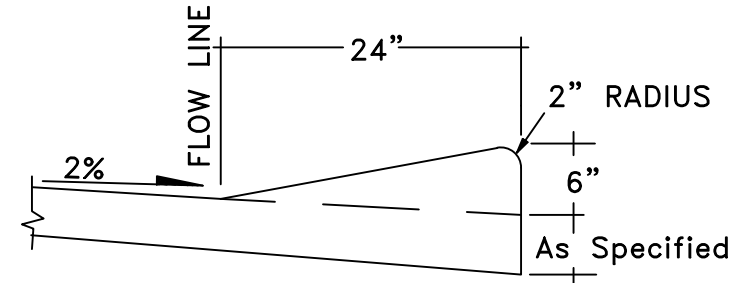
ROLLED CEMENT CONCRETE CURB & GUTTER

NOTES:

1. 2" weep holes to be placed on each side of a driveway section and at a minimum of 60', center to center.
2. Further requirements are specified in the State Standard Specifications.
3. Rebar reinforcing may be required for extruded cement curbing.
4. Extruded cement curb shall be anchored as specified in the State Standard Specifications.



EXTRUDED CEMENT OR ASPHALT CURB



THICKENED EDGE (FOR PRIVATE ROADS ONLY)

* - Forms or slip forms may be used. Forming method and expansion joints shall conform to Section 8-04.3 of State Standard Specifications.

DRAWING 508.F-1
CURB DETAIL
WHATCOM COUNTY DEPARTMENT OF PUBLIC WORKS