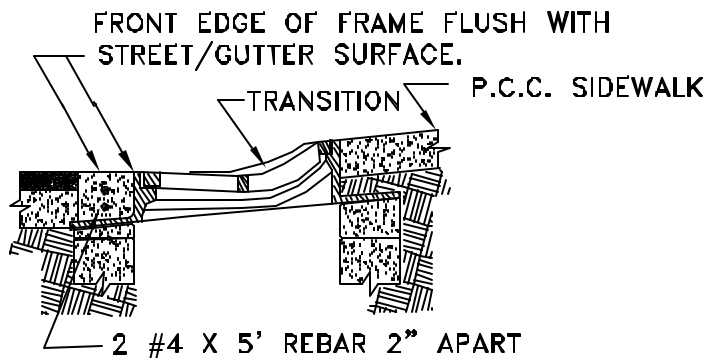
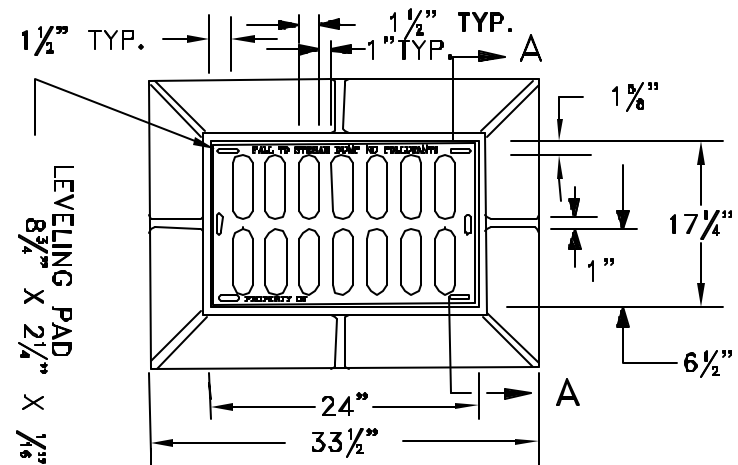


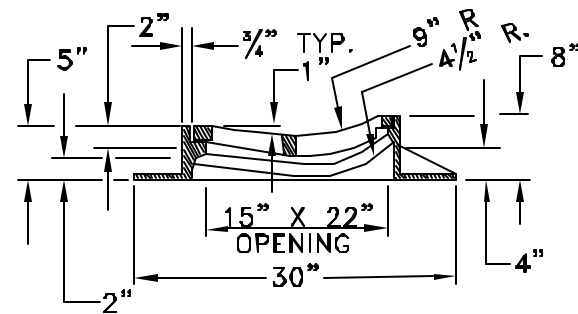
**INSTALLATION OF ROLLED CURB FRAME & GRATE**



NOTE: SECTION A-A  
 Set frame to grate and construct road and curb to be flush at front and back of frame.



**ROLLED CURB FRAME & GRATE**



**SECTION A-A**

DRAWING 508.F-4
ROLLED CURB
FRAME AND GRATE DETAIL
WHATCOM COUNTY DEPARTMENT OF PUBLIC WORKS