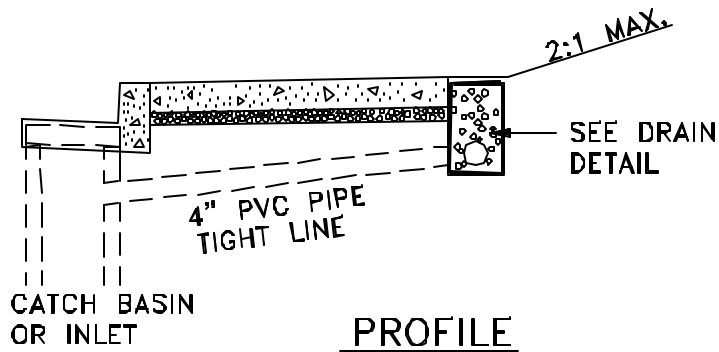
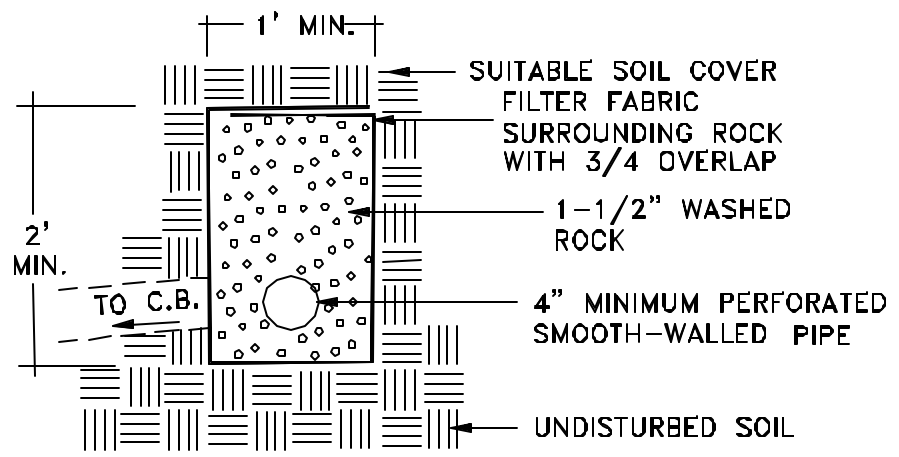


PLAN



PROFILE



DRAIN DETAIL

NOTES:

1. Sidewalk/curb & gutter drain is to be used whenever the sidewalk/ curb and gutter is in a cut section unless otherwise approved by the County Engineer.
2. Perforated pipe shall be used with a synthetic filter fabric and washed rock in cut sections.
3. All pipe runs shall provide positive drainage to the catch basin or inlet.

DRAWING 508.A-2
SIDEWALK/CURB & GUTTER DRAIN DETAIL
WHATCOM COUNTY DEPARTMENT OF PUBLIC WORKS